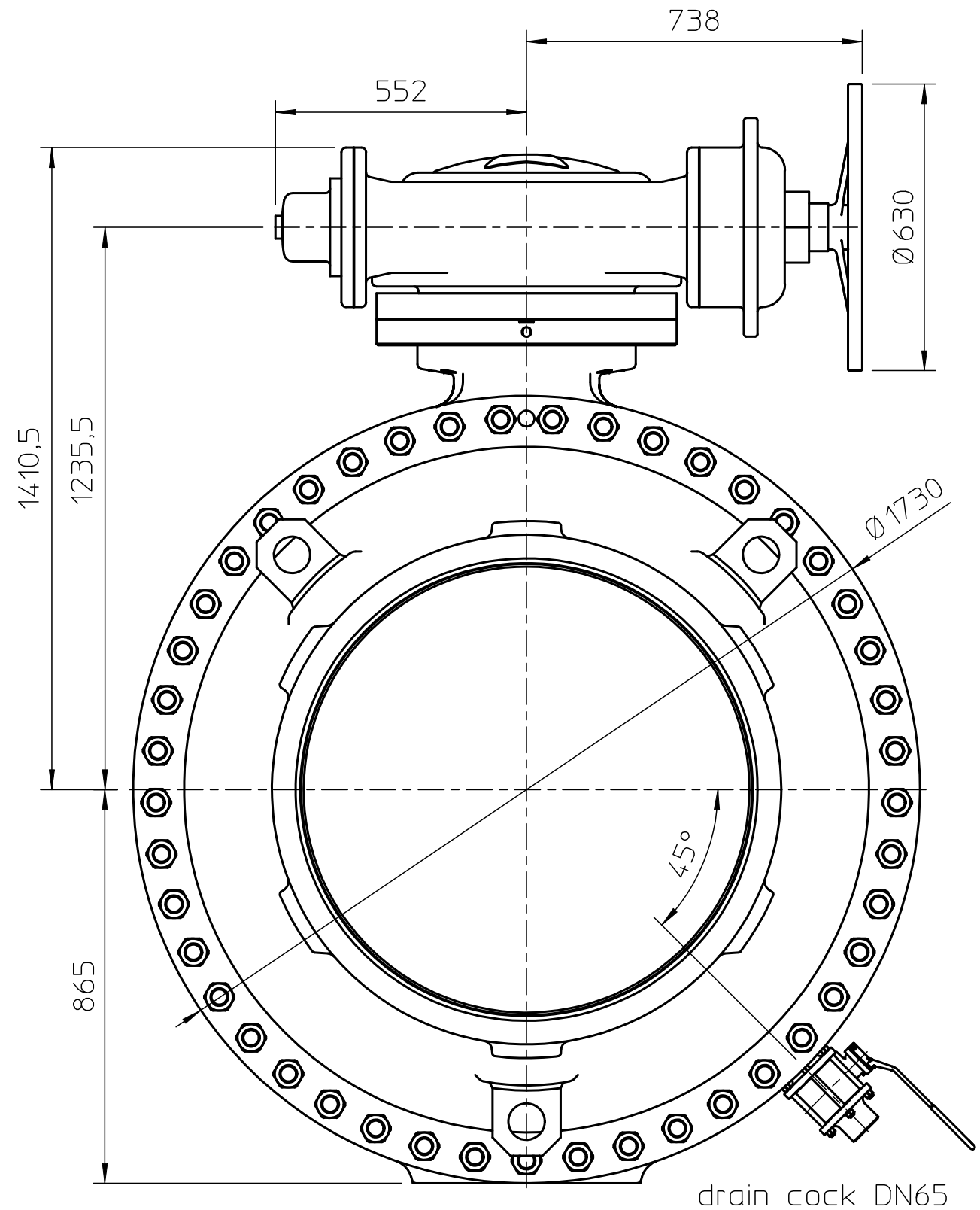
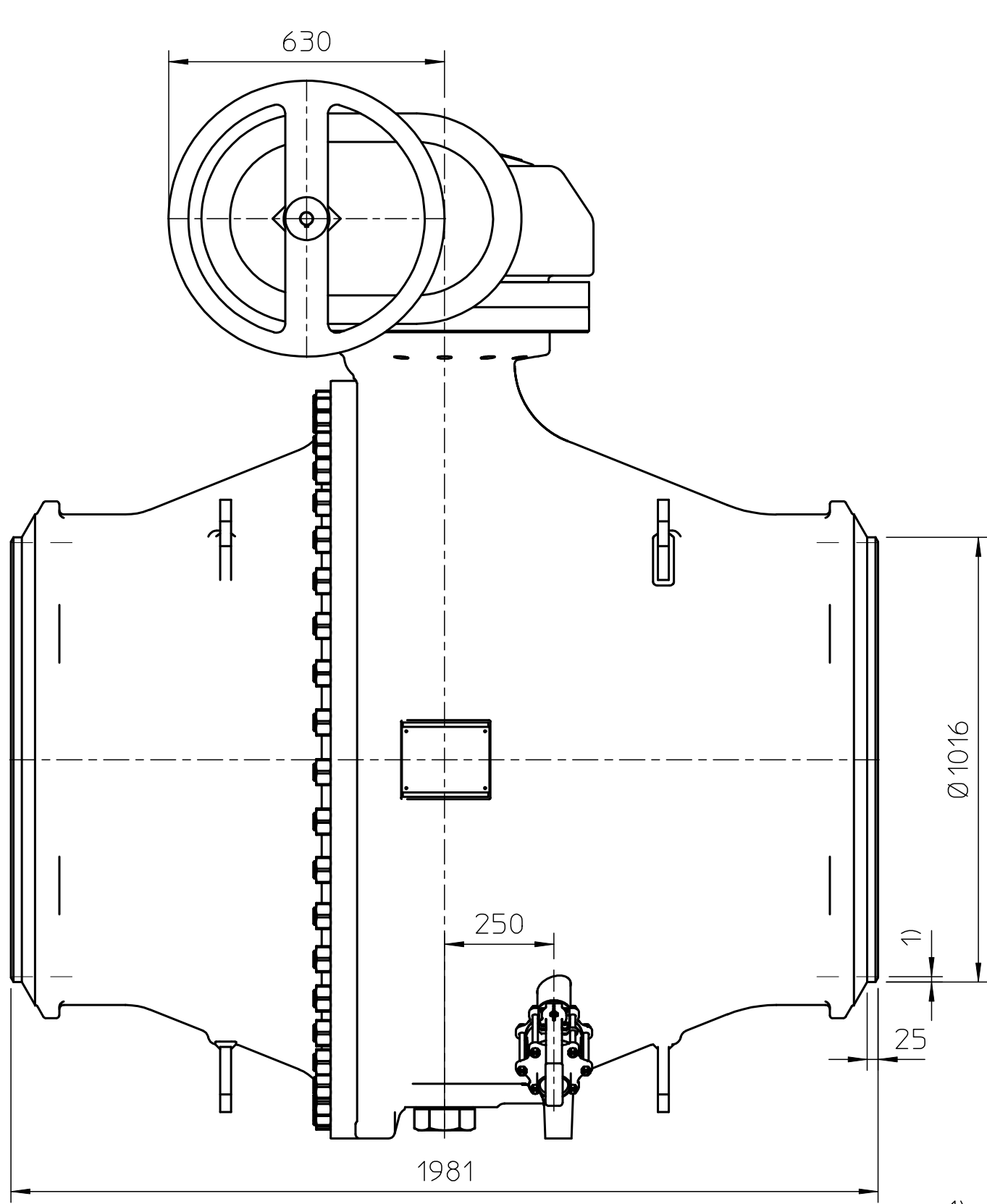


KLINGER ballostar ball valve type KHSVI 1000 VII-AF-KFC PN25, with
worm gear type AUMA GS315/GZ30-16/H.



drain cock DN65

1) spec. by purchaser

total weight: ca. 8200kg

drw.: 21.10.10 SA
wOH31780-12